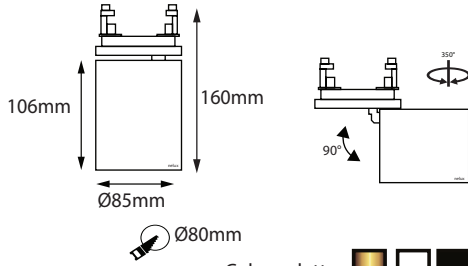


**CR85160**

Input Voltage AC220-240V, Multivoltage  
 Light Power 16W  
 Luminous flux ~1140lm  
 Light Source CREE COB  
 CCT 2700K, 3000K, 4000K, 5000K  
 CRI 80 as standard, CRI90, CRI97  
 Beam Angle 20°, 30°, 40°  
 Output DC36V 450mA



**CR85160**



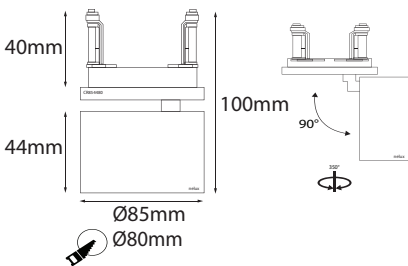
**CR85100**

Input Voltage AC220-240V, Multivoltage  
 Light Power 11W  
 Luminous flux ~840lm  
 Light Source CREE COB  
 CCT 2700K, 3000K, 4000K, 5000K  
 CRI 80 as standard, CRI90, CRI97  
 Beam Angle 18°, 24°, 40°  
 Output DC36V 300mA

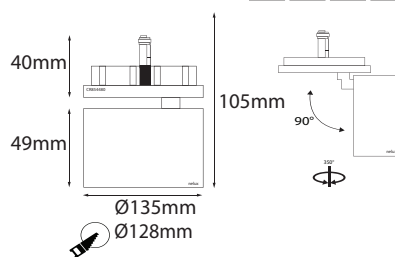
**CR135105**

Input Voltage AC220-240V, Multivoltage  
 Light Power 11W  
 Luminous flux ~840lm  
 Light Source CREE COB  
 CCT 2700K, 3000K, 4000K, 5000K  
 CRI 80 as standard, CRI90, CRI97  
 Beam Angle 18°, 24°, 40°  
 Output DC36V 300mA

**CR85100**



**CR135105**

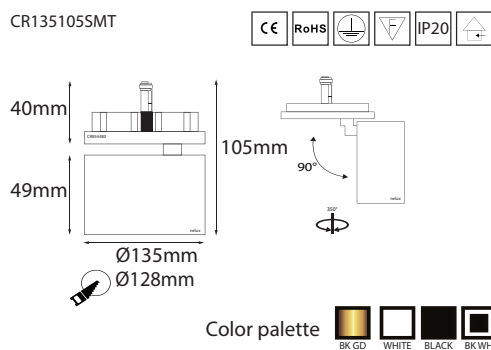
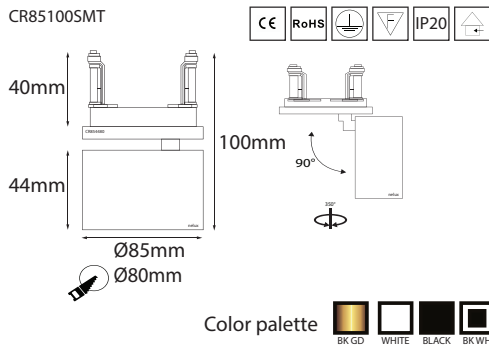


**PILL SERIES**



CR85100SMT

Input Voltage AC220-240V, Multivoltage  
 Light Power 6W  
 Luminous flux ~560lm  
 Light Source Edison SMT  
 CCT 2700K, 3000K, 4000K, 5000K  
 CRI 80 as standard  
 Beam Angle 90°  
 Output DC21V 300mA



CR135105SMT

Input Voltage AC220-240V, Multivoltage  
 Light Power 16W  
 Luminous flux ~1500lm  
 Light Source Edison SMT  
 CCT 2700K, 3000K, 4000K, 5000K  
 CRI 80 as standard  
 Beam Angle 90°  
 Output DC36V 450mA

